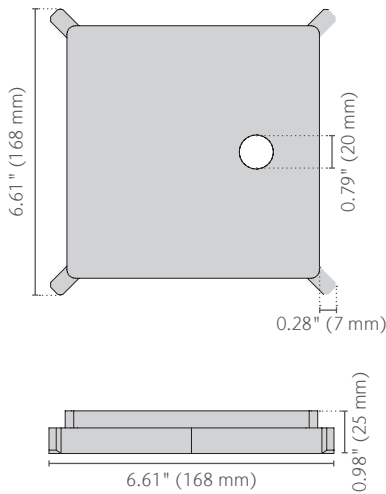


# Slot Cover Grate Spec Sheet



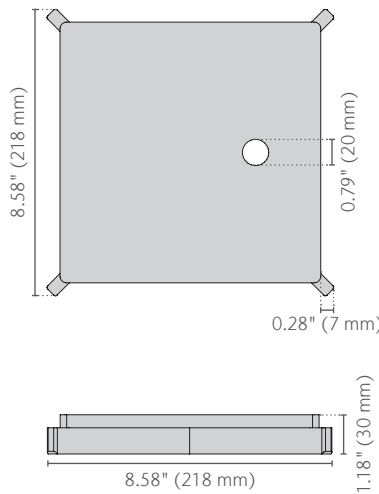
## Slot Cover Grate 8" SD 304/316L

part no. 408021/408121



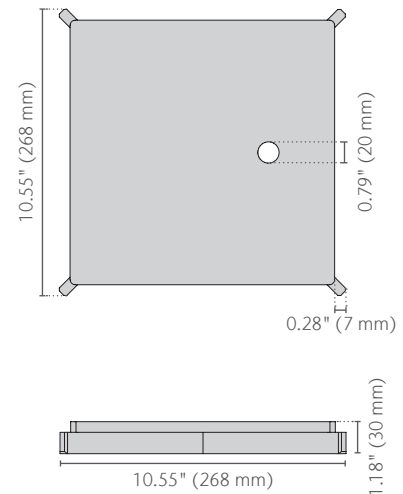
## Slot Cover Grate 10" SD 304/316L

part no. 408030/408130



## Slot Cover Grate 12" XHD 304/316L

part no. 408039/408139



Product Name	Part No.	Intake in <sup>2</sup>	Weight lbs	Material	EN1253 Load Class	ASME Load Class
Slot Cover Grate 8"	<b>408021</b>	10.5	5.1	AISI 304	M125	Special Duty
	<b>408121</b>	10.5	5.1	AISI 316L	M125	Special Duty
Slot Cover Grate 10"	<b>408030</b>	13.9	8.8	AISI 304	M125	Special Duty
	<b>408130</b>	13.9	8.8	AISI 316L	M125	Special Duty
Slot Cover Grate 12"	<b>408039</b>	17.4	13.2	AISI 304	M125	Extra Heavy Duty
	<b>408139</b>	17.4	13.2	AISI 316L	M125	Extra Heavy Duty

### Specification Clause

Used with ACO FloorDrain. Made from AISI 304 or AISI 316L. Electropolished finish. Fully drainable, inspectable and cleanable.

Slip-resistant (BPN >24).

Complies with ADA - American Disabilities Act of 2010 Section 302.3. Fully welded hygienic joints.



ADA-compliant per The Americans with Disabilities Act of 2010, Section 302.3



**HygieneFirst:** Includes relevant hygienic design principles reserved for food contact surfaces or recommended by NSF/ANSI and EHEDG.

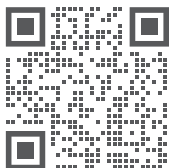


Slip-resistant: BPN > 24 based on Pendulum Test

## ACO, Inc.

© January 2026 ACO, Inc.

All reasonable care has been taken in compiling the information in this document. All recommendations and suggestions on the use of ACO products are made without guarantee since the conditions of use are beyond the control of the company. It is the customer's responsibility to ensure that each product is fit for its intended purpose and that the actual conditions of use are suitable. ACO, Inc. reserves the right to change products and specifications without notice.



info@acousa.com  
www.acousa.com

